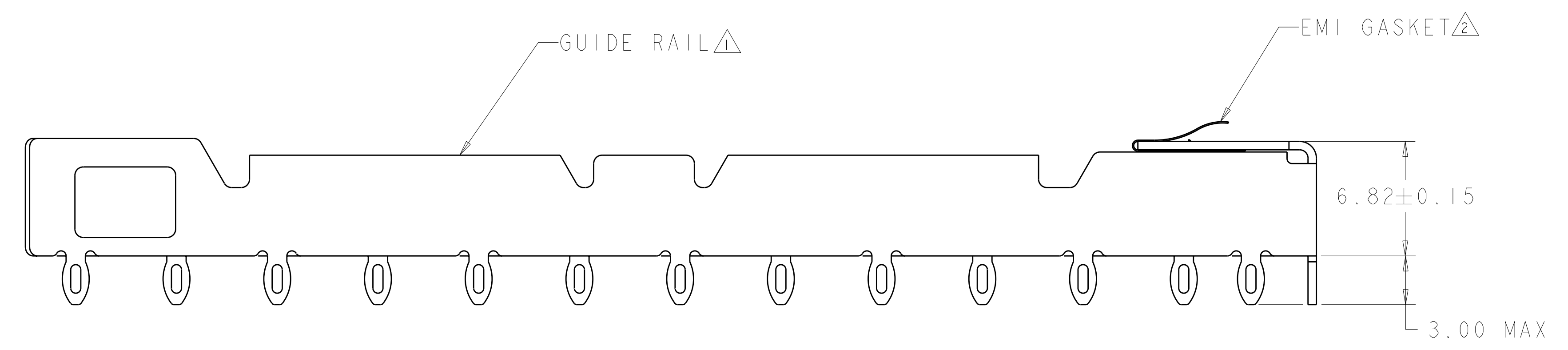
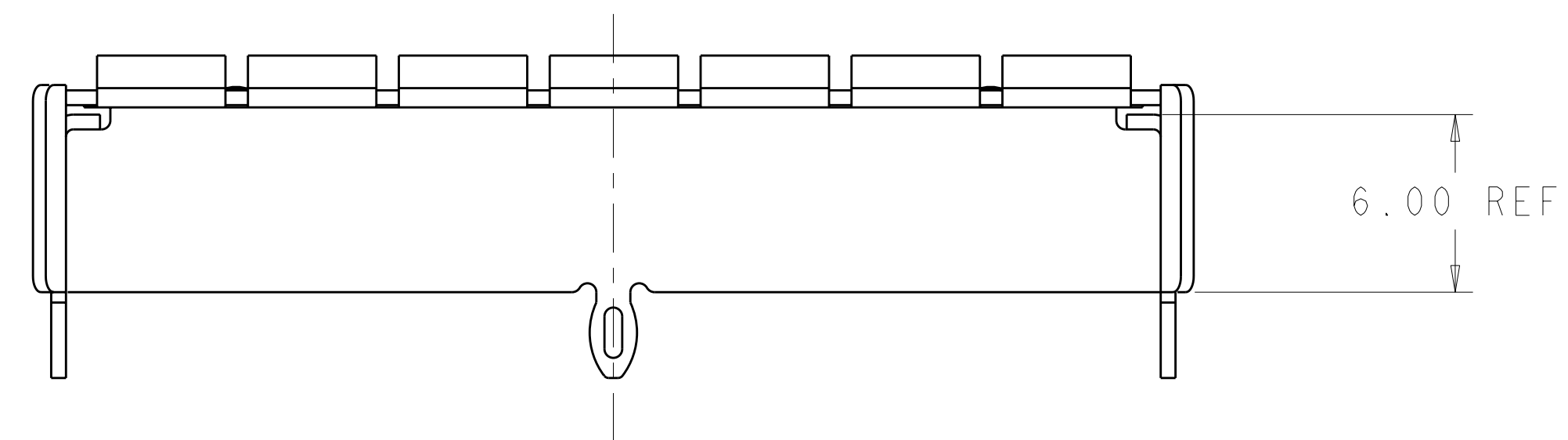
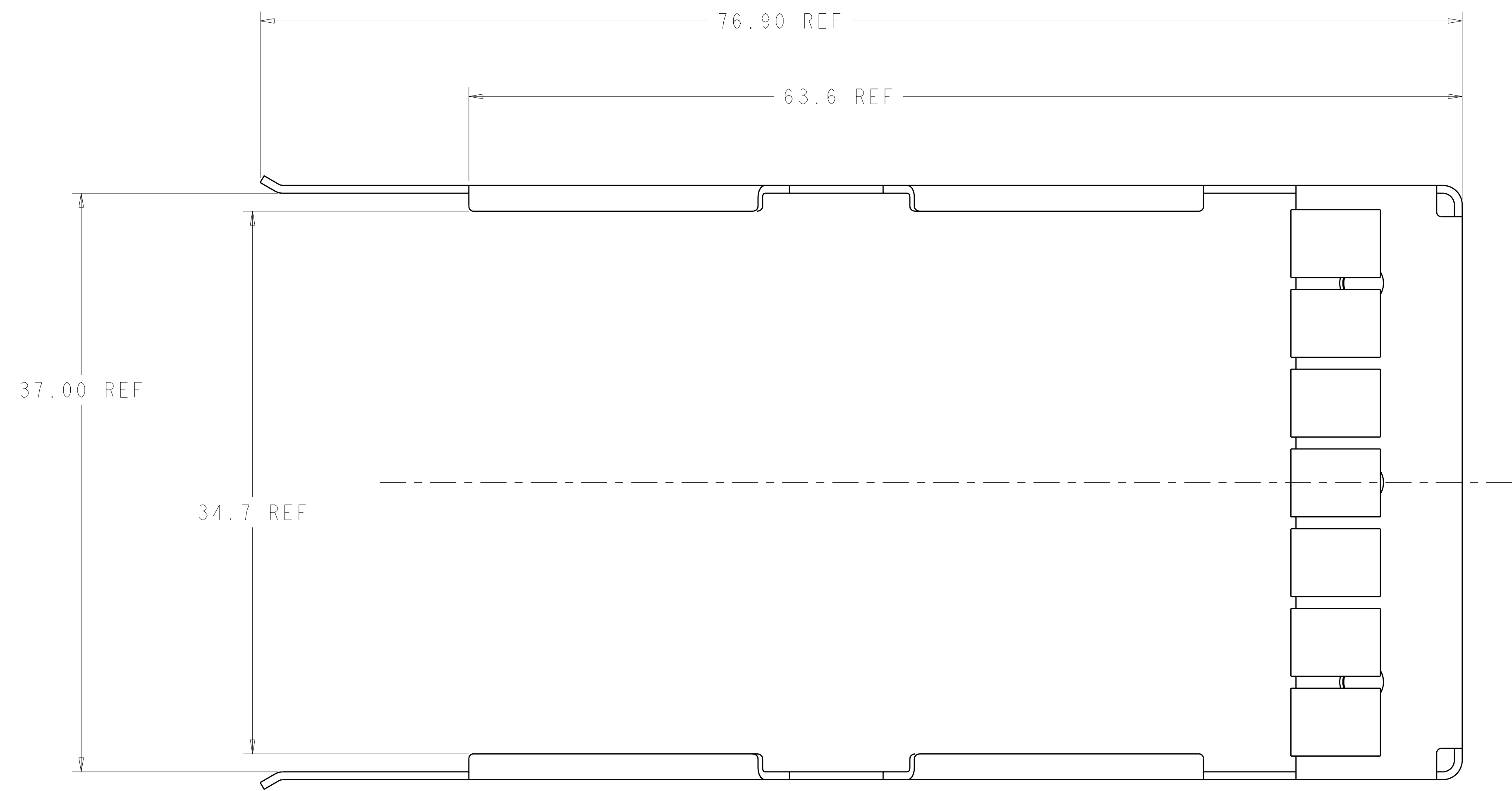


LOC	DIST	REV	DATE	BY	CHK	APPV
AG	00					

REV	DATE	DESCRIPTION	DATE	BY	CHK	APPV
5	11JUL2006	Ø 1.55 ± 0.02 WAS Ø 1.45 ± 0.02				
A	11APR07	RELEASED PER ECO-07-007698				

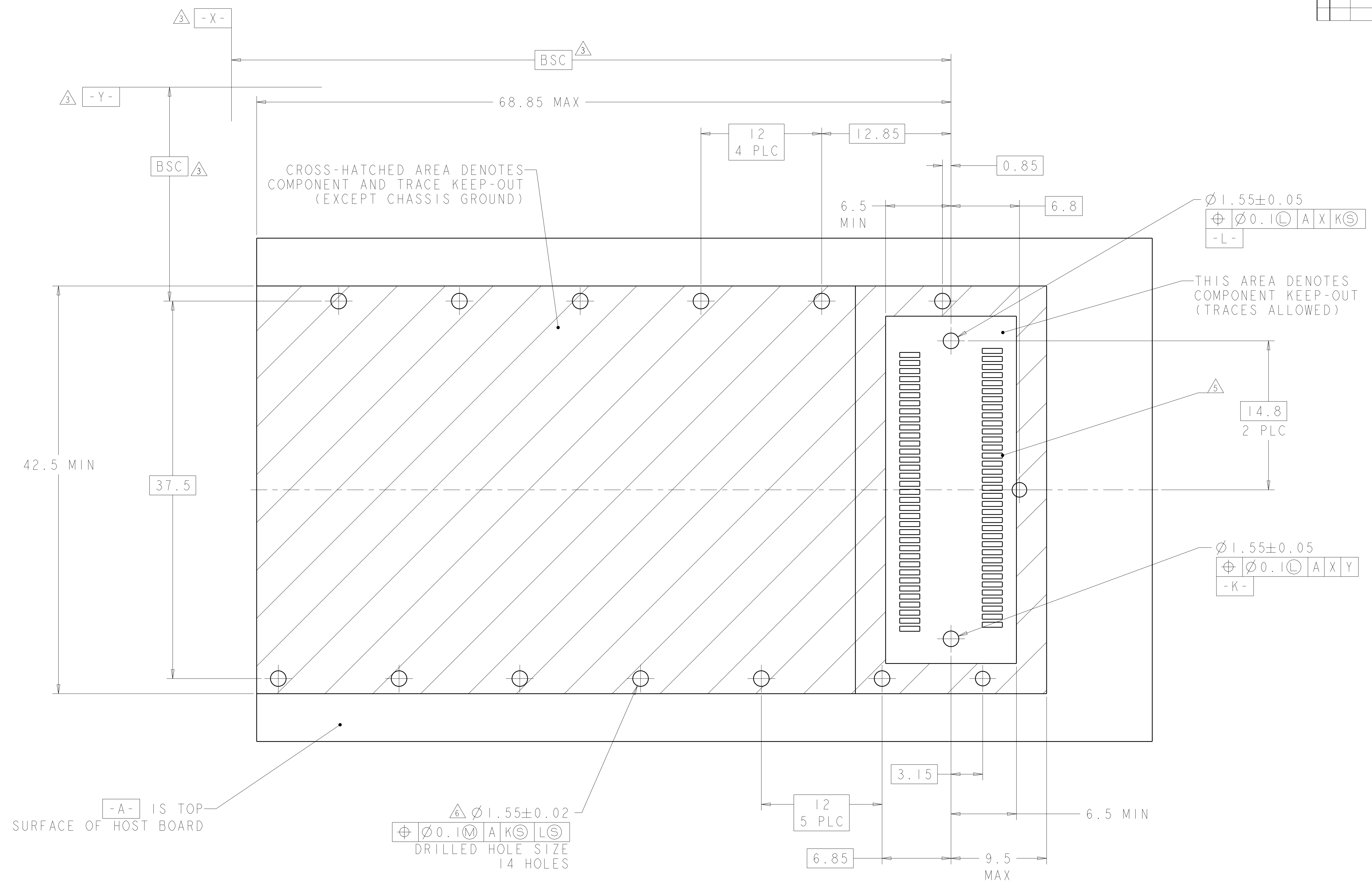
- 1. GUIDE RAIL MATERIAL: COPPER ALLOY
 GUIDE RAIL FINISH: 0.4 MICROMETERS MIN THK TIN COATING
- 2. EMI GASKET MATERIAL: COPPER ALLOY
 EMI GASKET PLATING: 2 MICROMETERS MIN THK TIN PLATE
- 3. DATUMS X AND Y AND BSC DIMENSIONS TO BE ESTABLISHED BY CUSTOMER
- 4. DESIGN ACCEPTS MODULES THAT ARE COMPLIANT WITH X2 SPECIFICATION REV 2.0b
- 5. SEE CUSTOMER DRAWING 1367337-1 FOR CONNECTOR PAD DIMENSIONS
- 6. RECOMMENDATION FOR P.C. BOARD HOLES:
 COPPER UNDERPLATE, 25-50 MICROMETERS THICK, FOLLOWED BY ANY OF THESE SURFACE FINISHES:
 - A. HASL SnPb: 35 MICROMETERS MAX THK
 - B. GALVANIC Au: 4-5 MICROMETERS Ni + 0.1-0.5 MICROMETERS Au
 - C. OSP: 0.2-0.5 MICROMETERS THK
 - D. IMMERSION Sn: 0.5 MICROMETERS MIN THK
 - E. IMMERSION Au: 4-5 MICROMETERS Ni + 0.1-0.5 MICROMETERS Au
 - F. IMMERSION Ag: 0.1-0.3 MICROMETERS
- 7. BARE EDGES PERMITTED
- 8. BEZEL REQUIREMENTS PER X2 MSA
- 9. REFERENCE INSTRUCTION SHEET 408-8997 FOR ADDITIONAL INFORMATION.



1367610-1
 PART NUMBER

DIMENSIONS: mm 		TOLERANCES UNLESS OTHERWISE SPECIFIED: 0 PLC ±0.5 1 PLC ±0.2 2 PLC ±0.1 3 PLC ± 4 PLC ± ANGLES ± FINISH ±		DWN P. KERLIN 20APR2004 CHK E. BRIGHT 20APR2004 APVD E. BRIGHT 20APR2004		Tyco Electronics Harrisburg, PA 17105-3608	
MATERIAL - FINISH -		WEIGHT - CUSTOMER DRAWING		NAME PRODUCT SPEC APPLICATION SPEC		RAIL ASSY, GUIDE, X2, BEZEL MOUNT	
SCALE 5:1		SHEET 1 OF 2		REV A		RESTRICTED TO	

LOC	DIST	REV	DATE	BY	APPD
AG	00				
		1			
		2			



RECOMMENDED P.C. BOARD LAYOUT

<small>THIS DRAWING IS UNPUBLISHED. RELEASED FOR PUBLICATION. ALL RIGHTS RESERVED. THIS IS SUBJECT TO CHANGE WITHOUT NOTICE. THE USER ASSUMES ALL RESPONSIBILITY FOR THE LATEST REVISION.</small>		DWN P. KERLIN 20APR2004 CHK E. BRIGHT 20APR2004 APVD F. BRIGHT 20APR2004	tyco Electronics Tyco Electronics Harrisburg, PA 17105-3608
DIMENSIONS: mm 	TOLERANCES UNLESS OTHERWISE SPECIFIED: 9 PLC ± 1 PLC ± 3 PLC ± 5 PLC ± 4 PLC ± ANGLES ± FINISH ±	NAME PRODUCT SPEC APPLICATION SPEC WEIGHT CUSTOMER DRAWING	RAIL ASSY, GUIDE, X2, BEZEL MOUNT SIZE CAGE CODE DRAWING NO A 00779 C-1367610 SCALE 5:1 SHEET 2 OF 2 REV A